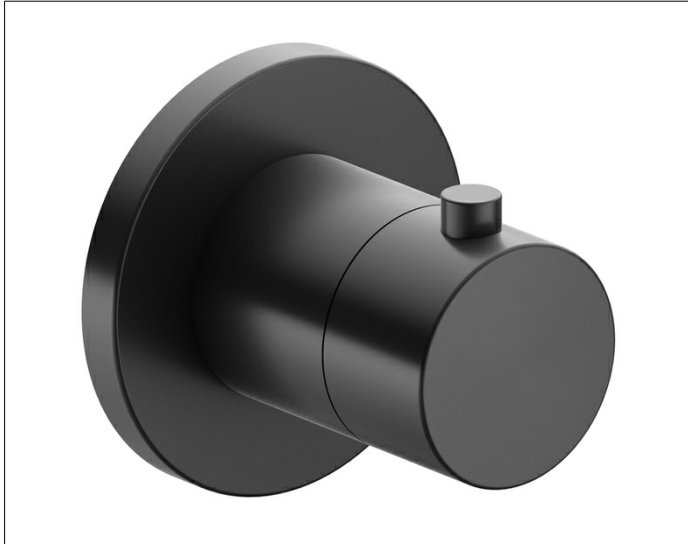


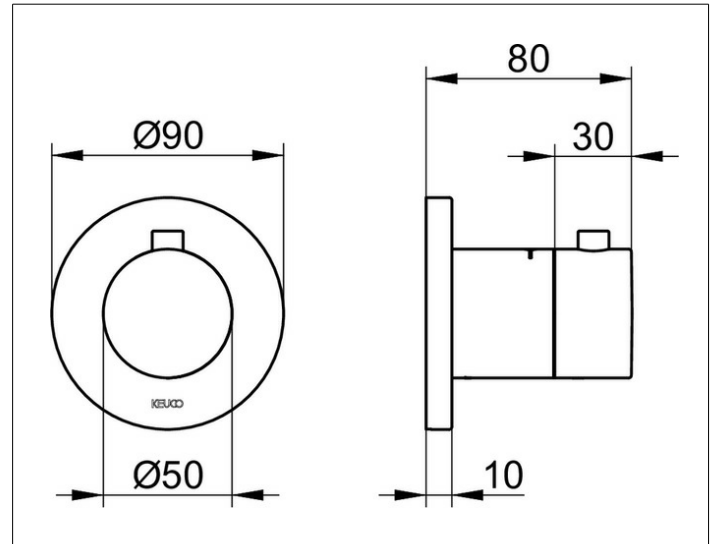
IXMO

59553130001 Thermostatic mixer DN 15

PRODUCT



DRAWING



PRODUCT ATTRIBUTES

Set complete with:
handle, sleeve and rosette (round)
suitable for rough part no. 59553 000070

SURFACE

brushed black chrome