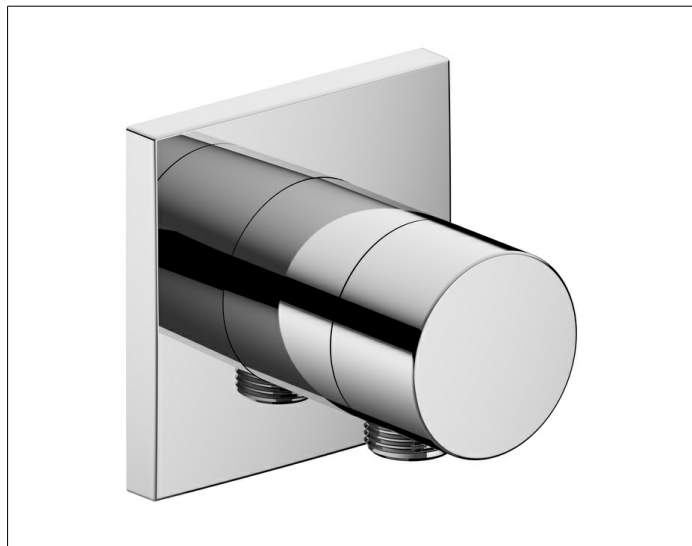


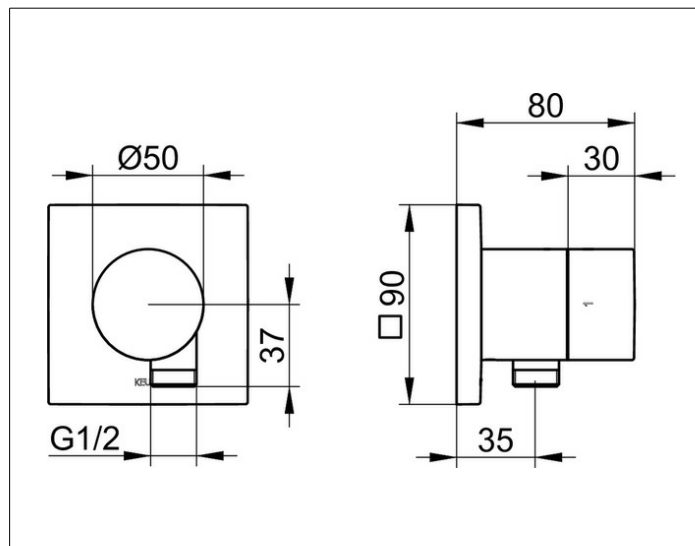
IXMO

59557010102 2-way stop and diverter valve with wall outlet for shower hose DN 15

PRODUCT



DRAWING



PRODUCT ATTRIBUTES

Set complete with:
handle, casing, rosette (square) and stop and diverter valve
intrinsically safe against backflow,
suitable for rough part no. 59556 000170

SURFACE

chrome-plated

DIMENSION

IXMO Pure, eckig

SPECIFICATIONS

KEUCO IXMO 2-way stop and diverter valve
with wall outlet for shower hose DN 15, 59557010102
chrome-plated 2-way stop and diverter valve
with wall outlet for shower hose,
IXMO Pure lever with square rosette,
freely positionable, with backflow preventer,
installation depth 80 - 110 mm,
with adjustment facilities whilst assembling
for handle and rosette, with hose connection G1/2 inch,
rosette 90 x 90 mm, 10 mm thick,
total depth 80 mm,
set complete with:
handle, sleeve, rosette (square) and stop/diverter valve,
suitable for rough part no. 59556000170