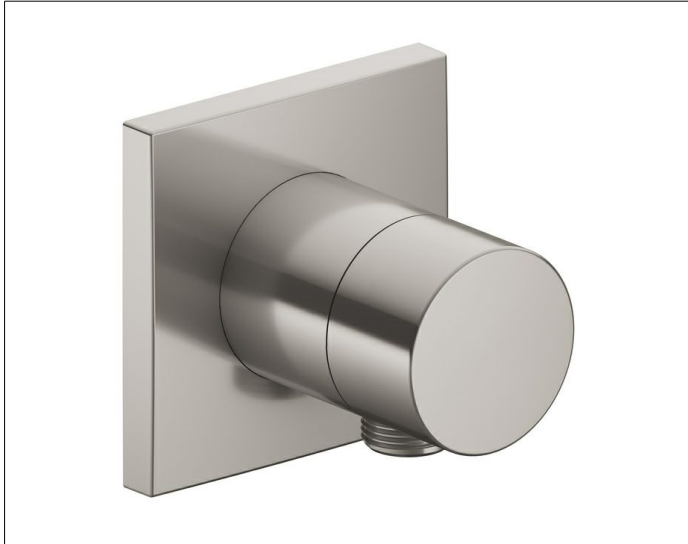


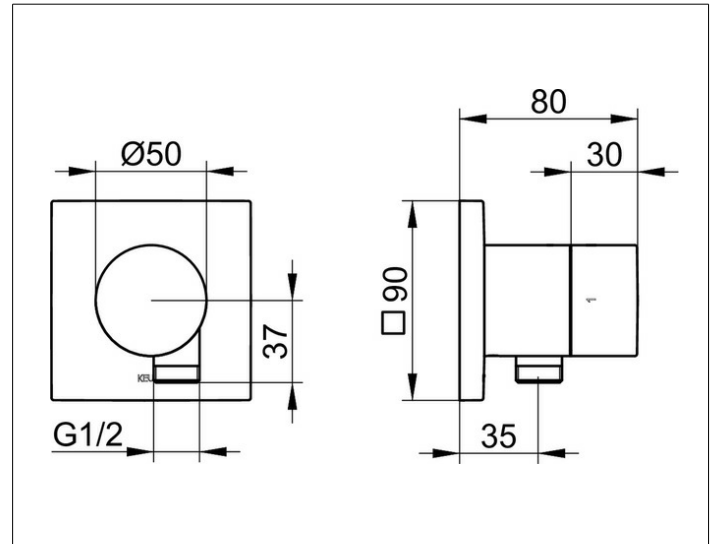
**IXMO**

**59557050102 2-way stop and diverter valve with wall outlet for shower hose DN 15**

**PRODUCT**



**DRAWING**



**PRODUCT ATTRIBUTES**

Set complete with:  
 handle, casing, rosette (square) and stop and diverter valve  
 intrinsically safe against backflow,  
 suitable for rough part no. 59556 000170

**SURFACE**

brushed nickel

**DIMENSION**

IXMO Pure, eckig