

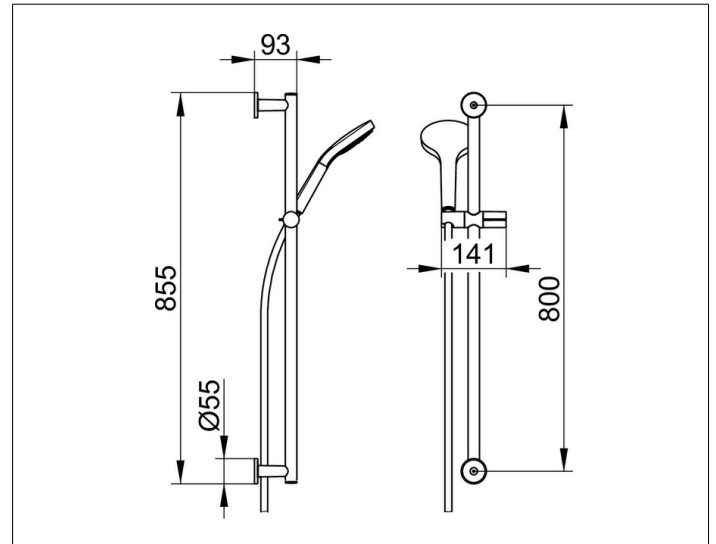
IXMO

59587370801 Shower set

PRODUCT



DRAWING



PRODUCT ATTRIBUTES

consisting of:

- rail 855 mm (rosettes round) and hand-shower bracket, height adjustable with handle, adjustable tilt angle, mountable on the right or left side
- spacer disc (5 mm)
- hand shower with normal, soft, massage jet
- shower hose, 1600 mm

SURFACE

black matt

DIMENSION

855 mm