

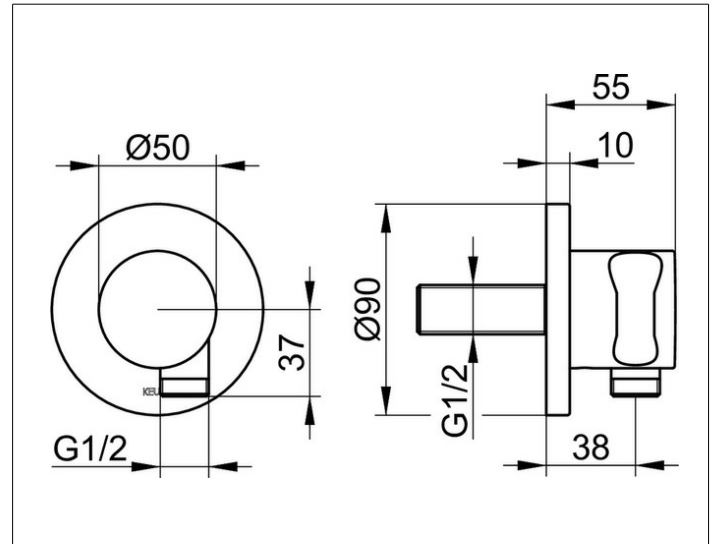
IXMO

59592070001 Wall outlet for shower hose with hand shower bracket DN 15

PRODUCT



DRAWING



PRODUCT ATTRIBUTES

for shower hoses with fitted conical end brackets,
with round decorative disc,
intrinsically safe against backflow

SURFACE

stainless steel finish

DIMENSION

rund