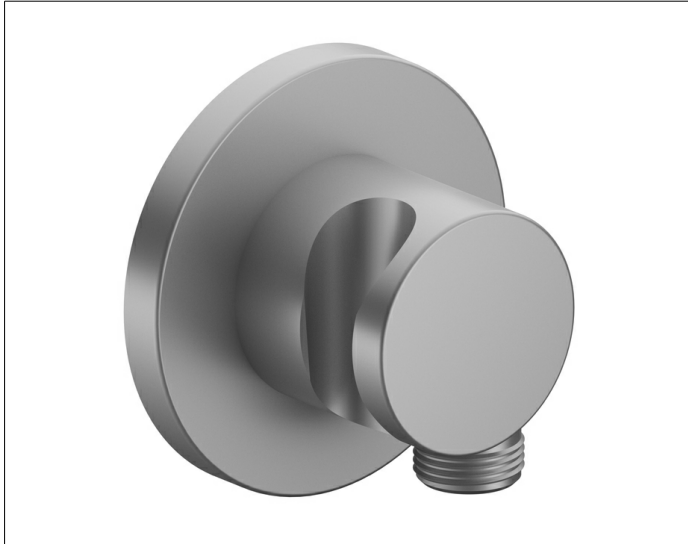


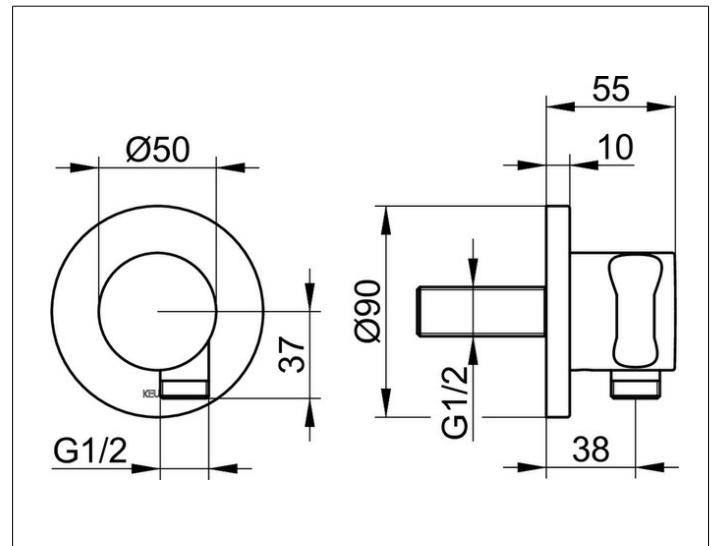
IXMO

59592170001 Wall outlet for shower hose DN 15

PRODUCT



DRAWING



PRODUCT ATTRIBUTES

for shower hoses with fitted conical end brackets,
with round decorative disc,
intrinsicly safe against backflow

SURFACE

aluminium finish

DIMENSION

rund