

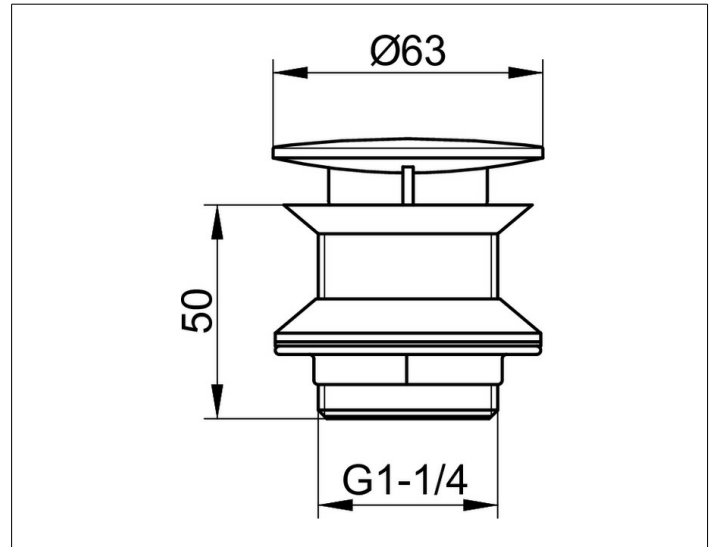
Generic fittings

59904010000 Basin waste

PRODUCT



DRAWING



PRODUCT ATTRIBUTES

1 1/4 inch x 60 x 50 mm  
unslotted freeflow waste with button cover  
in chrome/ABS plastic

SURFACE

chrome-plated