

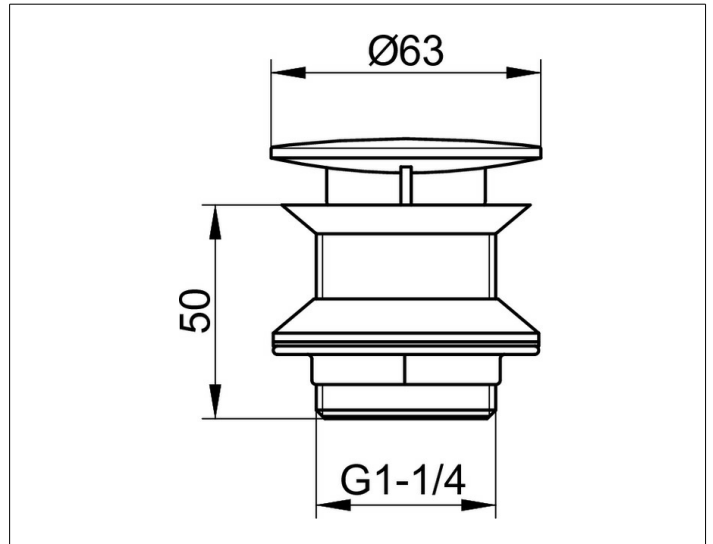
Generic fittings

59904130000 Basin waste

PRODUCT



DRAWING



PRODUCT ATTRIBUTES

1 1/4 inch x 60 x 50 mm
unslotted freeflow waste with button cover
in chrome/ABS plastic

SURFACE

brushed black chrome